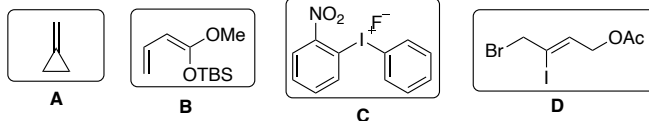
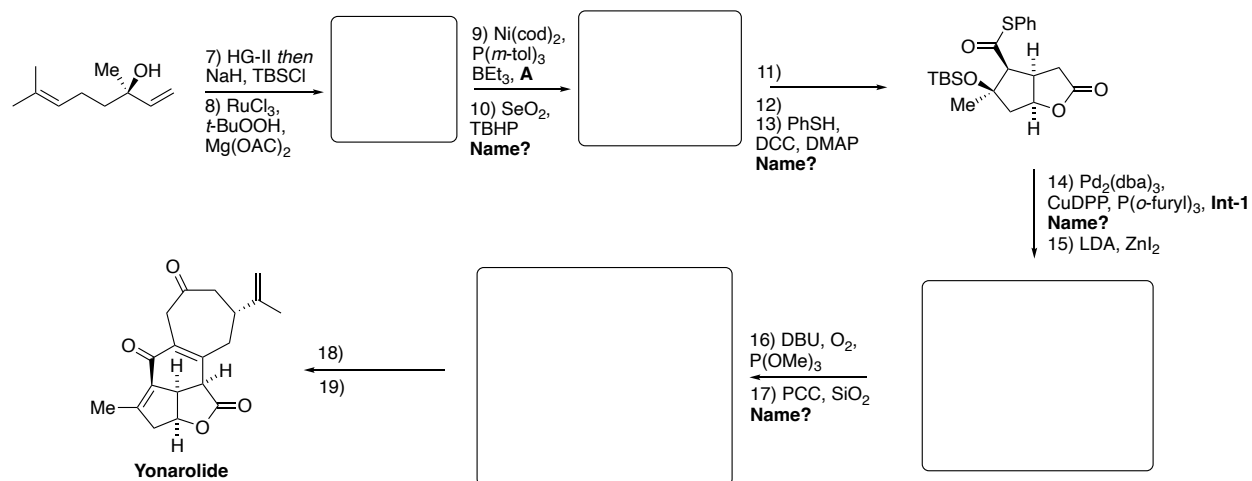
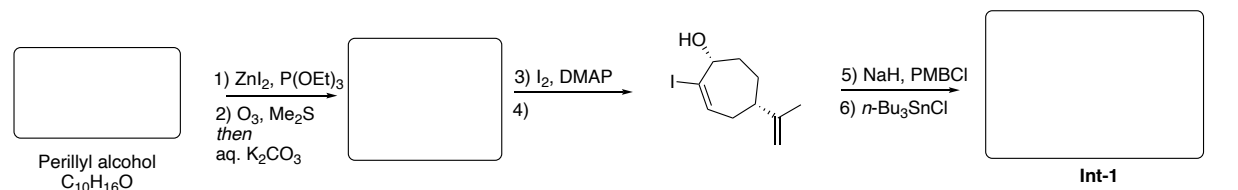


E231: Total Synthesis of Yonarolide, Scabrolide A and Strychnine



[1] R. Serrano, Y. D. Boyko, L. W. Hernandez, A. Lotuzas, D. Sarlah *J. Am. Chem. Soc.* **2023**, *145*, 8805.

[2] G. S. Lee, G. Namkoong, J. Park, D. Y.-L. Chen *Chem. Eur. J.* **2017**, *23*, 16189.



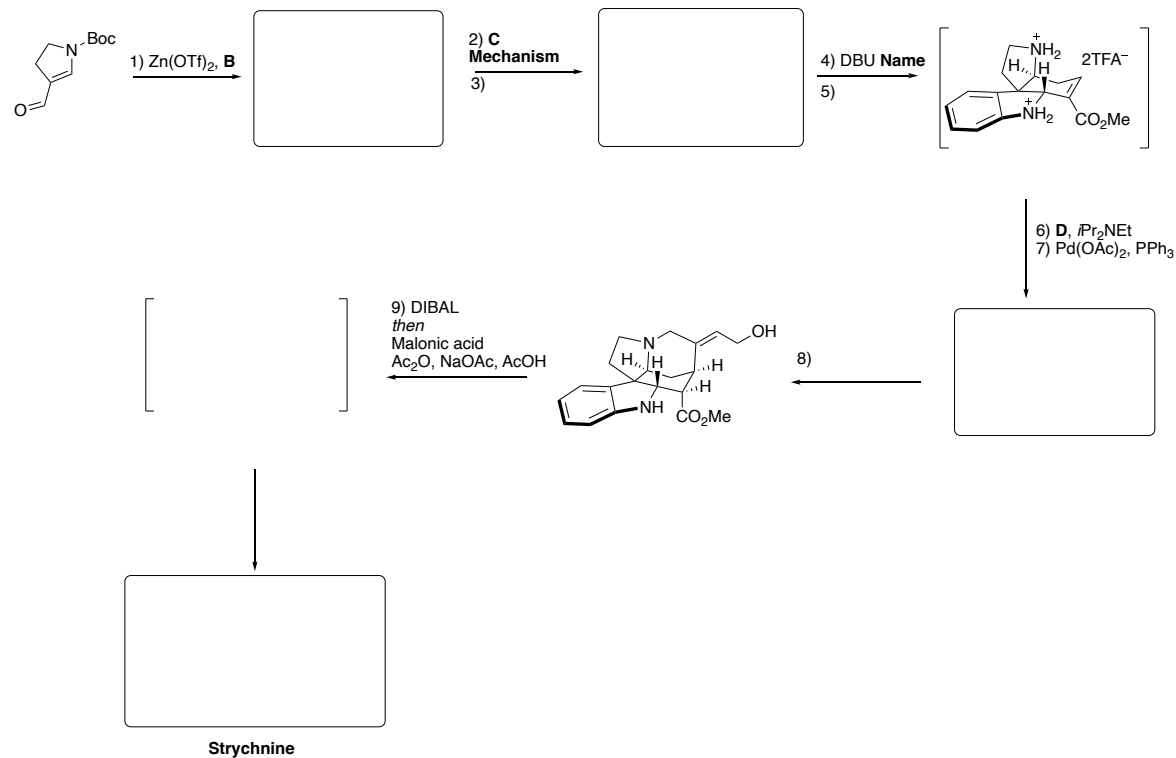
University
of Basel

Sparr Group Seminar

20/03/24

Andreas Ostertag

E231: Total Synthesis of Yonarolide, Scabrolide A and Strychnine



[1] R. Serrano, Y. D. Boyko, L. W. Hernandez, A. Lotuzas, D. Sarlah *J. Am. Chem. Soc.* **2023**, *145*, 8805.

[2] G. S. Lee, G. Namkoong, J. Park, D. Y.-L. Chen *Chem. Eur. J.* **2017**, *23*, 16189.

